

IMPORTANT  
ASSEMBLING THIS  
UNIT NEEDS  
MINIMUM 2 PEOPLE



**NO**  
DON'T USE THE DRILL



100% made in Italy

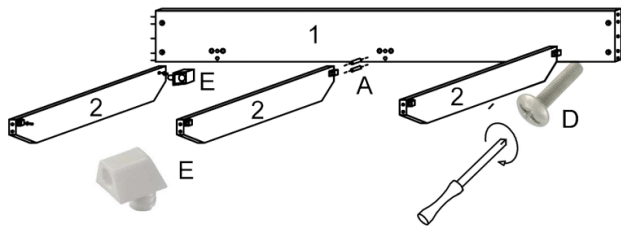
# PRESTIGE

## Legend

1	Side Rails
2	Ring / Slat support
3	Side rails
4	Footboard
5	Under Headboard
6	Headboard

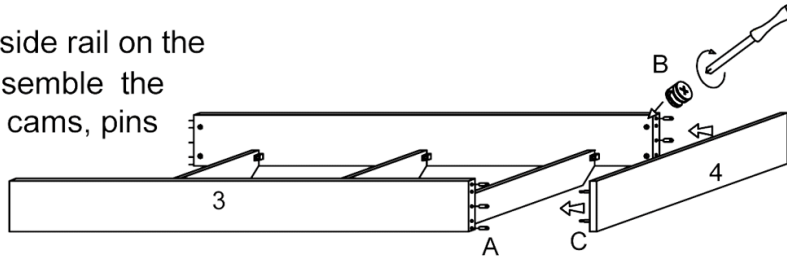
## Fitting check list

A		Wooden dowels (24pcs)
B		Cams (8pcs)
C		Pins (8pcs)
D		Screws TBL 4MA (6 pcs)
E		Cams for TBL 4MA (6 pcs)
F		Screws TBL 6M (18 pcs)

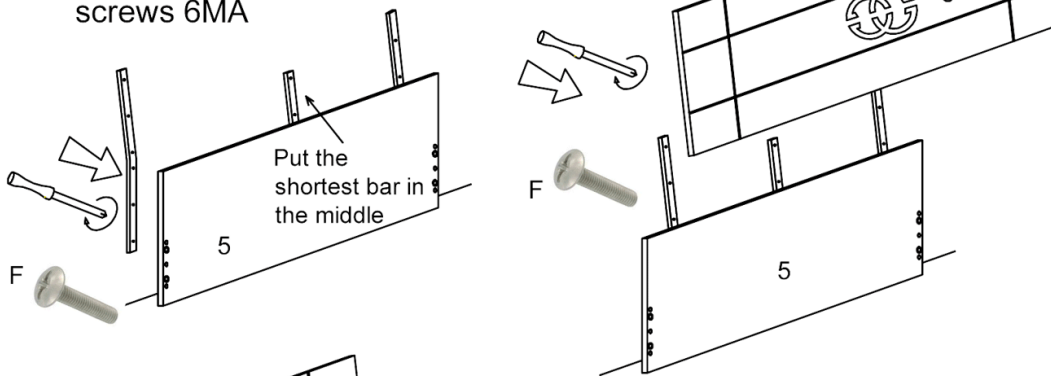


1. Fit the slat supports to the side rail, using the screws 4MA

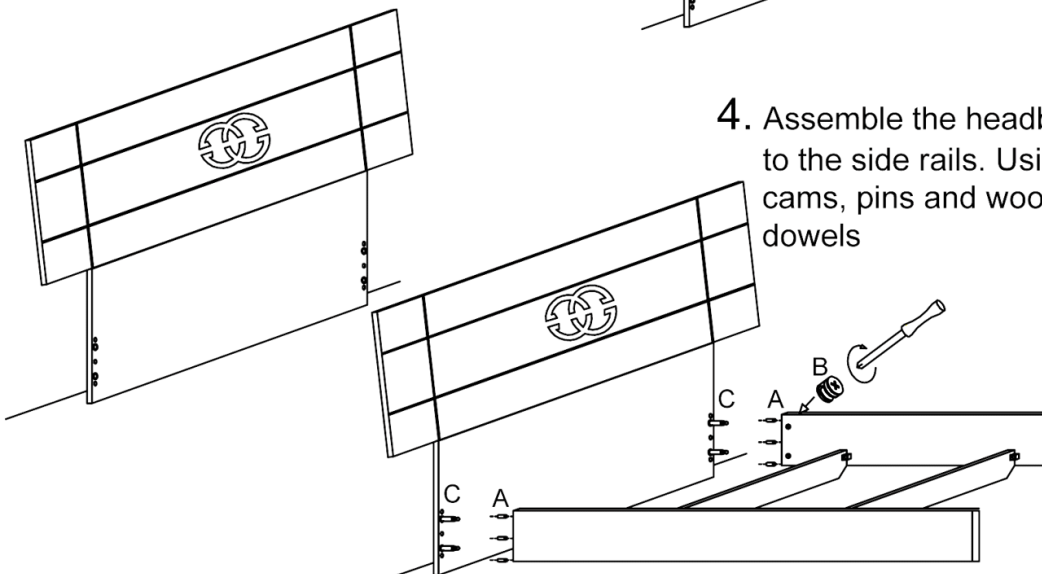
2. Assemble the other side rail on the slat supports and assemble the footboard, using the cams, pins and wooden dowels



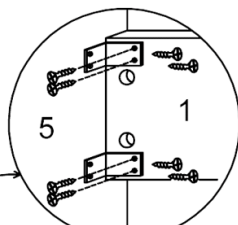
3. Fit the iron bars first on the under headboard and then on the headboard, using the screws 6MA



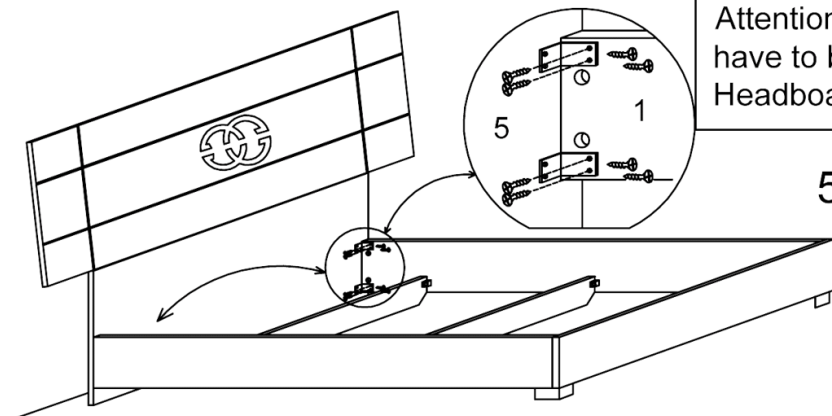
4. Assemble the headboard to the side rails. Using the cams, pins and wooden dowels



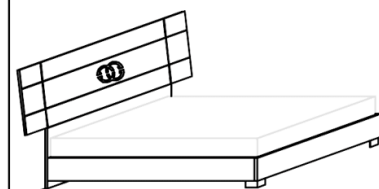
Attention: the iron corners have to be fixed only on the Headboard side



5. Fit the iron corner on the side rails and to the under headboard, using the screws TSP 4x20



1 2 8 4 . 0 6 5 . M



Tipologia | PRESTIGE Bedroom